



Logitrans
lifting performance



OPTIONAL EXTRAS



REMOTE CONTROL

LEVEL CONTROL

LOGIFLEX ATTACHMENTS

BRAND ELEMENTS

OTHERS



High flexibility and multi-functional solutions

Flexibility in usage, design, look and purpose is very important for many of our customers.

A high level of flexibility can improve the value of the solution and boost performance in the workflow. To meet different needs and preferences, we have a broad assortment of optional extras and attachments for our products.

Our **remote control** is one of our most popular add-ons for our semi electric and fully powered products. With a remote control you can operate the equipment easily by pressing a button from a safe distance.

The **level control** is also a preferred add-on for our skid lifts and stackers. This is a unique feature, which automatically ensures proper working heights and good ergonomic conditions for the workers. It is the ideal solution for customers, who care about their employees and a healthy working environment.

For our Logiflex program, we offer **different attachments** for the adjustable carriage, which allows you to use the

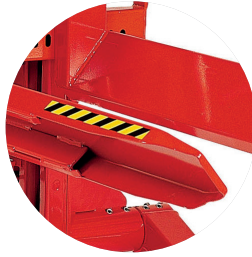
equipment for different purposes. If you handle different types of elements, you can easily switch between different attachments - without having to use different equipment.

We also have options for colors, logos and other personalization features. Find inspiration in this brochure.



Platform

To transport different kinds of goods, also non-palletized goods



Drum forks

To handle drums in horizontal position



Fork styles

Different fork styles to lift and transport different pallets



Drum turner

To handle standard steel and plastic drums



Crane arm

To lift and transport items with a hook



Boom

To lift and transport reels in horizontal positions



Remote control

To optimize your experience with our solutions and to improve your conditions for safe and efficiency material handling, we offer our all-in-one remote control for our semi electric and fully powered products.

With the remote control you can operate the equipment from a safe distance and with a clear overview. Our customers highly value this option as it benefits in terms of flexibility, safety and efficiency.

The remote control comes as wireless or with cable (9 feet)..



Level control

How do you ensure to always have a proper working height, when you empty and load pallets? The automatic level control does that for you.

The level control is attached to your equipment, and an electric sensor will ensure the forks raise/lower as the pallet is loaded/emptied.

This way the working height is constant, as it automatically adjusts to the pre-set working height.

The ergonomically correct working position and height help prevent injuries and strain on the operator, and he/she can work faster and more efficient without extra physical efforts.

The level control is user-friendly and easy to program. It is very robust and compact, which prevents it from getting in the way.

Available for electric skid lifts and stackers - also for stainless versions.

Additional extras

Low speed valve

With the low speed valve, you can reduce the lifting and lowering speed of your equipment with a remote control (wireless or cable).

This is relevant in situations where you e.g. need to:

- place reels carefully and precisely into a machine
- handle valuable and fragile vials in the pharma industry

You can reduce lifting speed by 1/3 and lowering speed by 2/3.

Logidock

The Logidock is a "parking station" for your pallet truck.

It is a simple solution if you need to fix your pallet truck during transportation (e.g. in lorries/semi-trucks)

The non-skid rubber ring is easy to move around and place where ever you need to fix your pallet truck, when you are not operating.





Branding

To provide a unique product experience, we also customize the equipment according to your company color, logo and brand name.

Receive your material handling equipment in your own company color to match your working environment, or have your brand name/logo cut out in the triangle of your pallet trucks.



Level control

How do you ensure to always have a proper working height, when you empty and load pallets? The automatic level control does that for you.

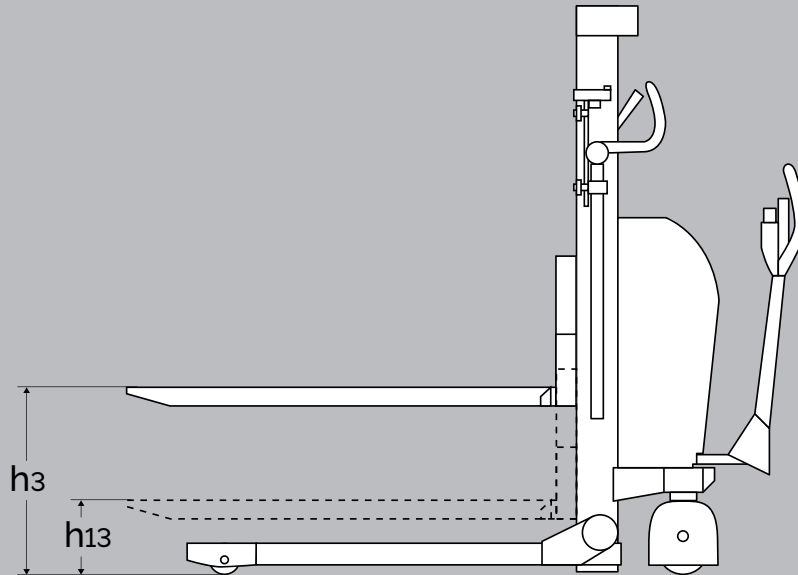
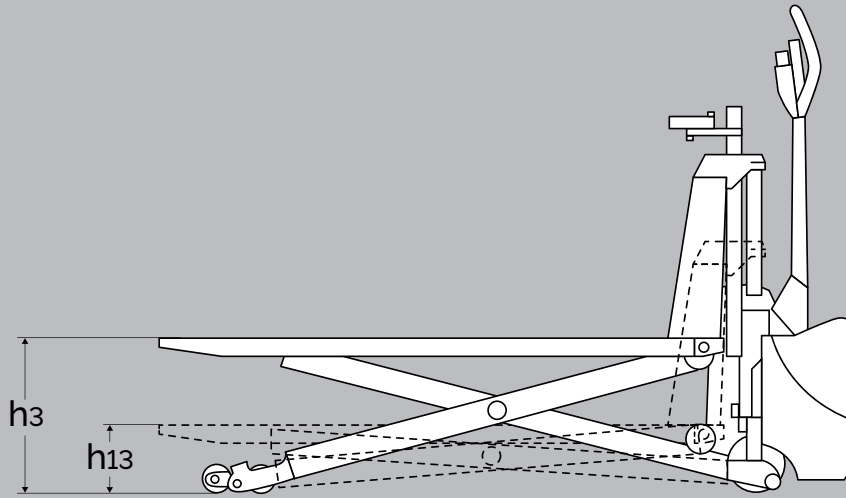
The level control is attached to your equipment, and an electric sensor will ensure the forks raise/lower as the pallet is loaded/emptied.

This way the working height is constant, as it automatically adjusts to the pre-set working height.

The ergonomically correct working position and height help prevent injuries and strain on the operator, and he/she can work faster and more efficient without extra physical efforts.

The level control is user-friendly and easy to program. It is very robust and compact, which prevents it from getting in the way.

Available for electric skid lifts and stackers - also for stainless versions.



PRODUCT (measured in mm)		HIGHLIFTER	LOGIFLEX
Level control type		LC4	LC4
Detection range of photocell		4-79 (adjustable)	4-79 (adjustable)
Working height of photocell		19.3-38.2 (adjustable)	11.8-53.1 (adjustable)
Reaction time of photocell		1-25 seconds (adjustable)	1-25 seconds (adjustable)
Turnable photocell		+/- 30°	+/- 30°
Lifting height activated level control	h_3	31.5	35.5
Lowered height activated level control	h_{13}	8	8



Drum forks (QDF)

To lift and transport drum horizontally.

The drum forks make it easy and safe to lift and transport drums, paper reels and barrels horizontally.

Dimensions

- Drum diameter with a fork carriage of 32": Minimum 4" and maximum 39.5".
- Drum diameter with a fork carriage of 27": Minimum 4" and maximum 29.5".

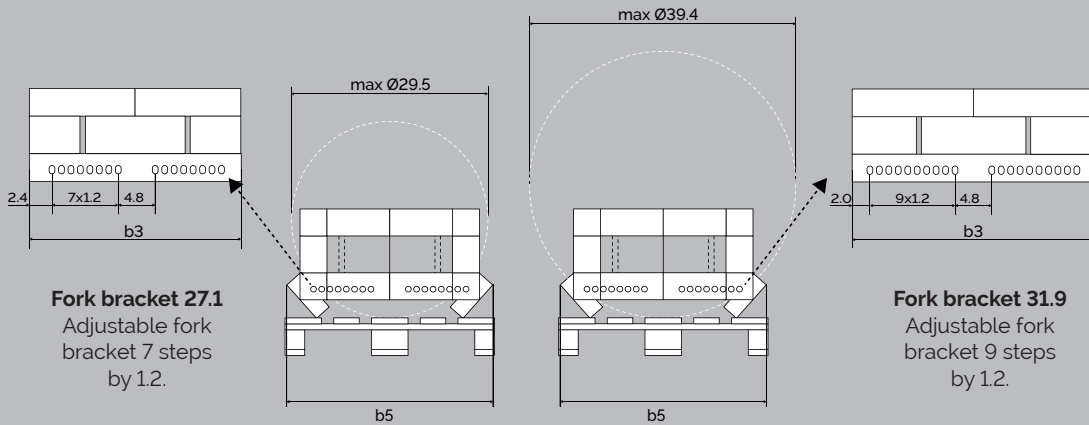
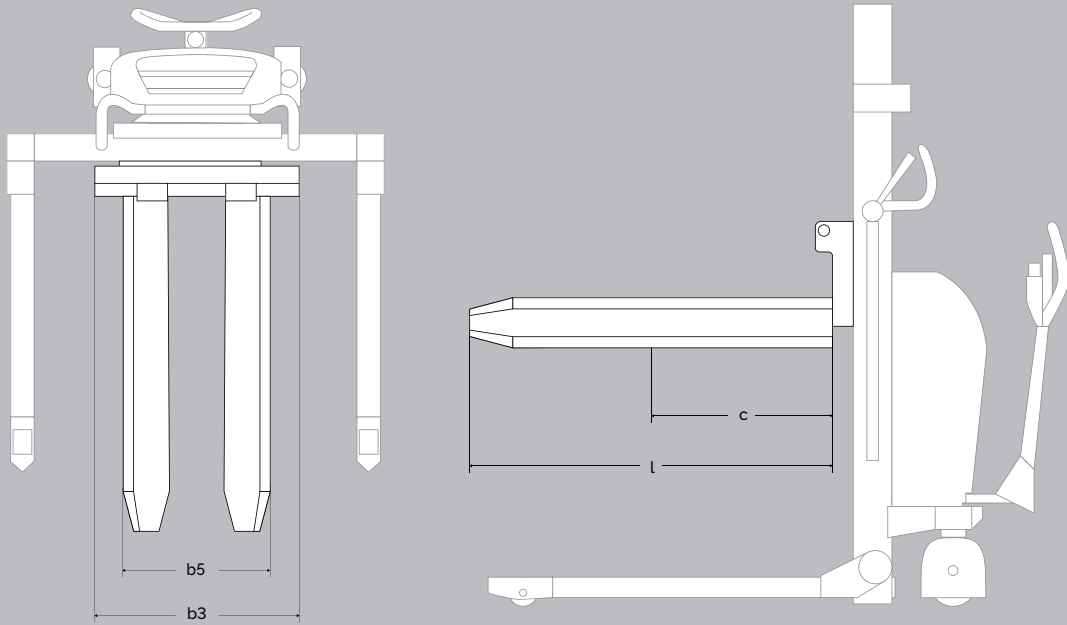
Note: If you have a Logiflex with fork over legs (not straddle), the reel must be placed on a pallet to grab it.

The drum forks can easily be replaced by one of the many fork options, we offer as optional extras.

If you need to turn and empty the drums, we recommend our drum turner instead.

FEATURES

- ✓ Quick shift system
- ✓ Manual
- ✓ Semi electric
- ✓ Fully powered
- ✓ Remote control
- ✓ Straddle legs
- ✓ Fork over



Fork bracket 27.1
Adjustable fork bracket 7 steps by 1.2.

The diameter of a drum can max be Ø29.5 when using fork bracket 27.1.

The diameter of the drum can max be Ø39.4 mm when using fork bracket 31.9.

Fork bracket 31.9
Adjustable fork bracket 9 steps by 1.2.

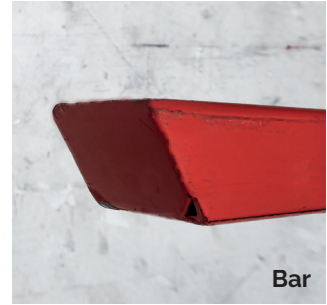
PRODUCT
(measured in inch)

QDF

Capacity		Max 1100 lbs
Fork length	l	23.5, 31.5, 45
Width of drum fork carriage	b ₃	27, 32
Maximum width of drum forks	b ₅	27.2, 32.3
Maximum drum diameter	d	29.5 by a carriage of 27 and 39.5 by a carriage of 32
Load center	c	l/2



Wrap-over



Bar



Chisel

Fork styles (QWOF, QBF, QCF)

Wrap-over forks, bar forks or chisel forks.

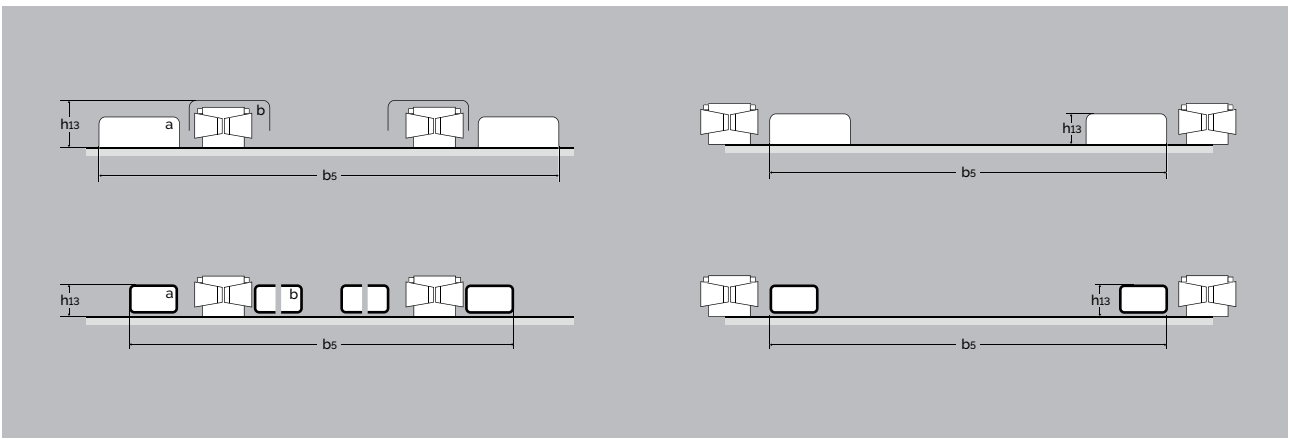
With the different fork styles you can easily lift and transport different types of pallets.

- Wrap-over forks: Standard forks for Logiflex
- Bar forks: Narrow forks - entry widths more narrow than on a EUR pallet
- Chisel forks: Thin forks for low heights under the load.

You can attach the forks to all Logiflex models with an adjustable carriage, and replace them by one of the many quick shift options we offer.

FEATURES

- ✓ Quick shift system
- ✓ Manual
- ✓ Semi electric
- ✓ Fully powered
- ✓ Remote control
- ✓ Straddle legs
- ✓ Fork over



PRODUCT (measured in inch)	FORK CARRIAGE 17" *	FORK CARRIAGE 27"***
--------------------------------------	--------------------------------------	---------------------------------------

Fork style		Wrap-over	Bar	Chisel	Wrapover	Bar	Chisel
Size of wheel		Ø2.95			Ø3.25		
Fork span	b_s	14-22	9-17	9-17	14-31.5	9-27	9-27
Fork span - a	b_s						
Fork span - b	b_s	22	9-11.75	9-11.75	22	9-11.75	9-11.75
Lowered fork height - straddle legs	h_{13}	3.25	3.25	2.36	2.5	2.5	1.5
Lowered fork height - a	h_{13}						
Lowered fork height - b	h_{13}	3.25	3.25	2.36	3.5	2.5	1.5
Fork dimensions		6.5x2.5	4x2.4	4x1.4	6.5x2.5	4x2.4	4x1.4

PRODUCT (measured in inch)	FORK CARRIAGE 32" *	FORK CARRIAGE 37" **
--------------------------------------	--------------------------------------	---------------------------------------

Fork style		Wrap-over	Bar	Chisel	Wrapover	Bar	Chisel
Size of wheel		Ø3.25			Ø3.25		
Fork span	b_s	14-36	9-31.5	9-31.5	20.75-41.35	16.5-36.75	16.5-36.75
Fork span - a	b_s	34.5-36	29.5-31.5	29.5-31.5	34.5-41.35	29.5-36.75	29.5-36.75
Fork span - b	b_s	22	9-11.75	9-11.75	22		
Lowered fork height - straddle legs	h_{13}	2.5	2.5	1.5	2.5	2.5	1.5
Lowered fork height - a	h_{13}	2.5	2.5	1.5	2.5	2.5	1.5
Lowered fork height - b	h_{13}	3.5	2.5	1.5			
Fork dimensions		6.5x2.5	4x2.4	4x1.4	6.5x2.5	4x2.4	4x1.4

* Standard carriage for LF MINI and ELF with capacity 2200 lbs and lifting height 36 and 65 inches
 ** Standard carriage for Logiflex straddle stackers with wrap-over forks.
 *** Standard carriage for Logiflex straddle stackers with bar and chisel forks.
 Standard carriage for Logiflex stackers without straddle legs (but fork carriage 17" for LF MINI and ELF with capacity 2200 lbs and lifting height 36 and 65 inches).



Boom (QBM)

With the boom you can safely and easily carry and transport reels in horizontal position.

The capacity of the boom depends on weight and length of the reel. The load must be placed evenly over the length of the boom.

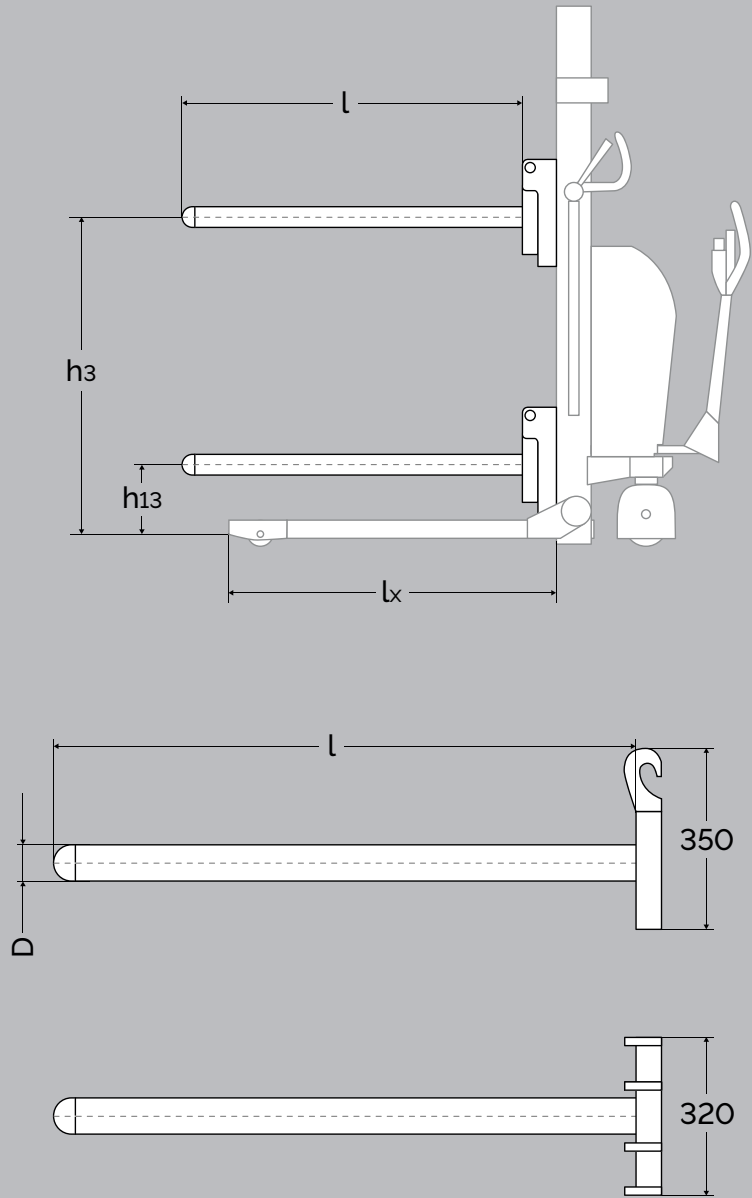
As a safety precaution, the load center of the reel must be placed behind the load wheel center on the legs.

Note: If you have a Logiflex with fork over legs (not straddle), the reel must be placed on a pallet - not directly on the floor.

The boom has a quick shift system and is therefore easy and quick to fit on all Logiflex models with adjustable carriage.

FEATURES

- ✓ Quick shift system
- ✓ Manual
- ✓ Semi electric
- ✓ Fully powered
- ✓ Remote control
- ✓ Straddle legs
- ✓ Fork over



PRODUCT (measured in inch)	QBM		QBM		QBM		QBM	
	1	2	1	2	1	2	1	2

Run-in lengths	l_x	31.75		32.25		43.5		42
Lifting height, boom	h_3	$h_{13} + \text{lifting height}$						
Lowered height, boom	h_{13}	6.7 (without load)						
Length of boom	l	31.5			45			
Diameter of boom	D	15	2	2.75	15	2	2.75	
Capacity (lbs)		725 lbs	1440 lbs	2200 lbs	500 lbs	945 lbs	1760 lbs	



Platform (QPF)

To move different items not necessarily placed on pallets.

The platform makes it easy for you to lift and carry items that are not placed on pallets in a safe and efficient way.

Examples:

- equipment with wheels
- small trolleys
- pressure cleaners
- vacuum cleaners

It can, however, also carry and transport pallets.

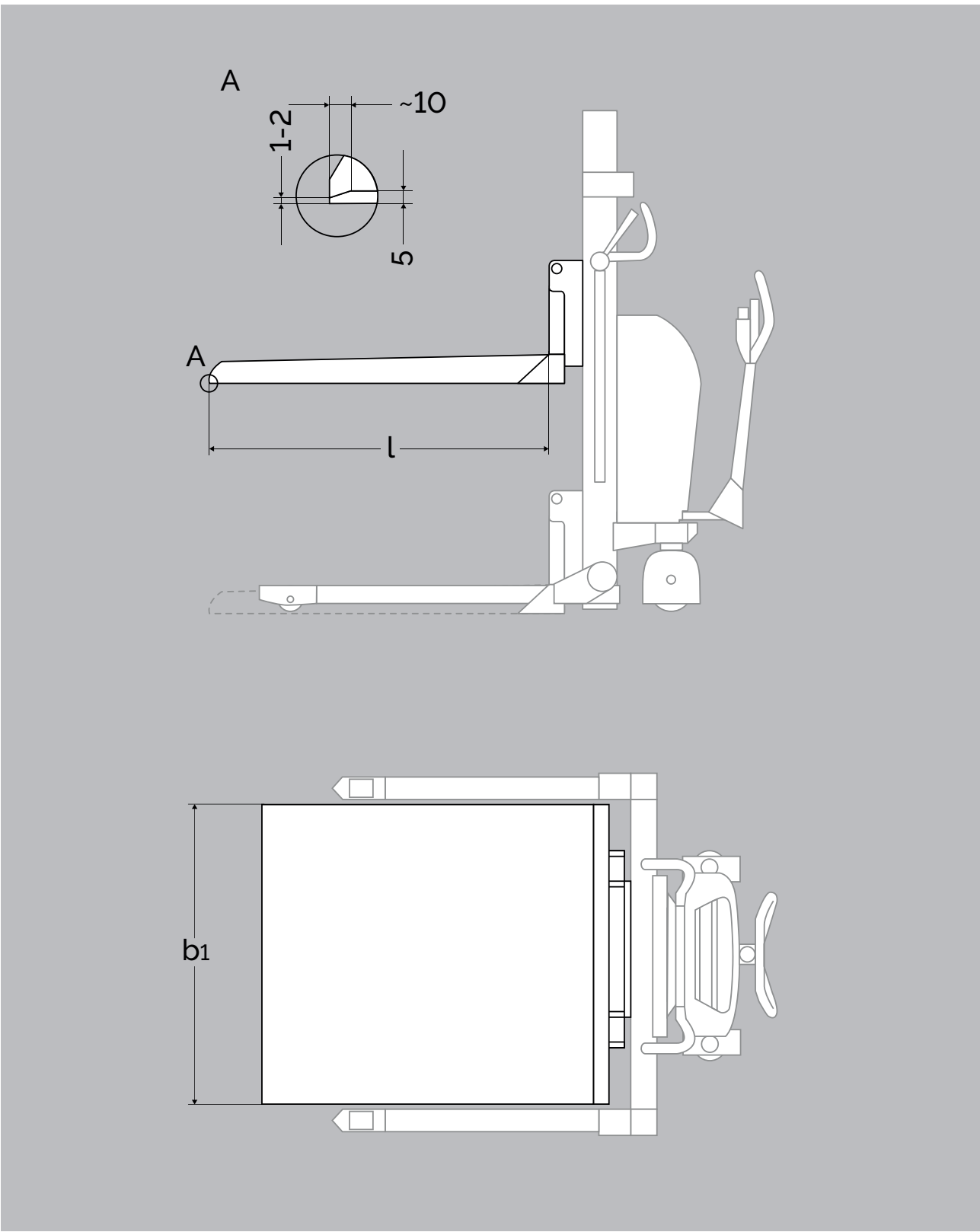
Dimensions

- Max. capacity: 2200 lbs (load evenly distributed on the platform).
- Width: 43".
- Length: 39" or 48".

Note: You can lower the platform all the way to the ground using a Logiflex with straddle legs. Not with fork over.

FEATURES

- ✓ Quick shift system
- ✓ Manual
- ✓ Semi electric
- ✓ Fully powered
- ✓ Remote control
- ✓ Straddle legs
- ✓ Fork over



PRODUCT (measured in inch)	QPF
--------------------------------------	------------

Capacity	Max. capacity 2200 lbs (when the load is distributed evenly)	
Width of platform	b	43
Length of platform	l	39, 48



Crane arm (TC 750)

For our Logiflex Stackers we offer the telescopic crane arm, the TC 750. The telescopic crane arm has different positions, and different lengths from 29.5 inches to max. 63 inches

The capacity of the telescopic crane arm depends on each position.

The adjustable length makes it very flexible to use. It can be used for heavy units of max. 1650 lbs., and for units up to max. 440 lbs, when positioned up to 63 inches from the mast of the stacker.

Please always contact us in order to find the best and safest solution for you.

Crane arm (QCA)

Designed to lift and carry machine tools with a hook.

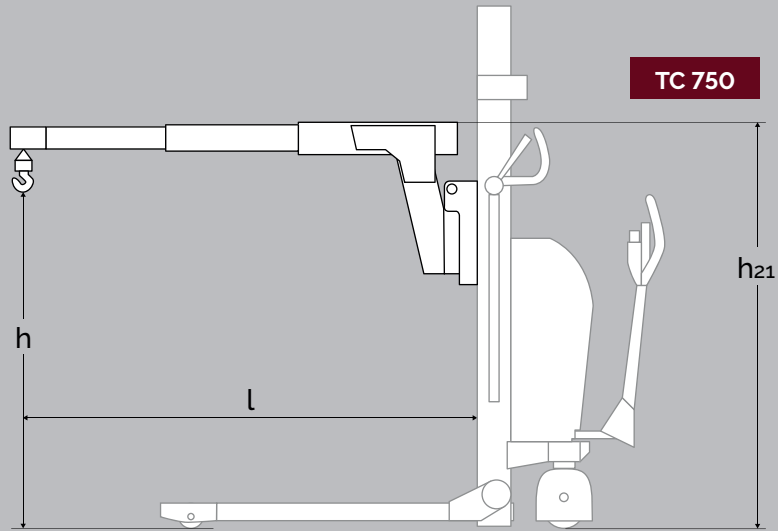
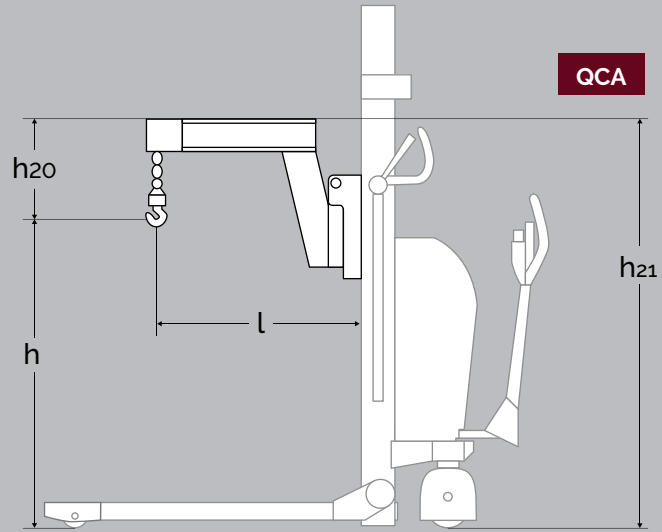
The crane arm makes it easy to lift and transport heavy objects, such as machine tools, plastics molds and components.

It has an adjustable chain with a hook.

Maximum capacity: 1100 lbs.

FEATURES

- ✓ Quick shift system
- ✓ Manual
- ✓ Semi electric
- ✓ Fully powered
- ✓ Remote control
- ✓ Straddle legs
- ✓ Fork over



PRODUCT (measured in inch)		QCA	TC 750
Capacity		Max. 1100 lbs	
Total length	l	29.5	29.5-63
– Length / capacity		29.5 / 1650 lbs	
– Length / capacity		29.5-46.25 / 770 lbs	
– Length / capacity		46.25-63 / 440 lbs	
Lifting height, hook	h	$0 - (h_3 + 13.6)$	$h_3 + 7.8$ (max. 440)
Hook length	h_{20}	8.25-25.2	
Total height	h_{21}	$h_1 + 6.3$	$h_1 + 6.3$



Drum turner (QDTA)

To lift and rotate standard drums.

If you handle standard measured drums and only handle one type of drums, our Logiflex drum turner is a good match for you. This drum turner can handle standard steel drums (DS/EN 210) and standard plastic drums (DS/EN 12707) in an ergonomic, safe and efficient way.

The drum turner has a capacity of 550 lbs. The turning angle of 360° makes it possible to empty a drum.

Semi electric drum turner

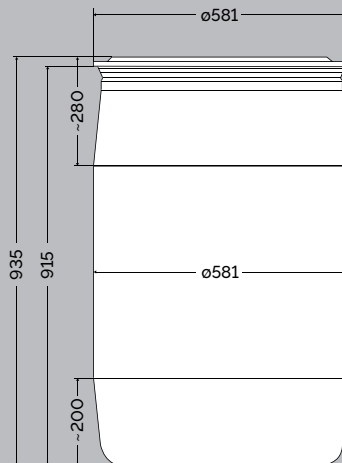
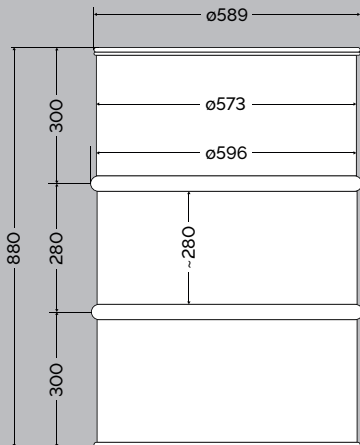
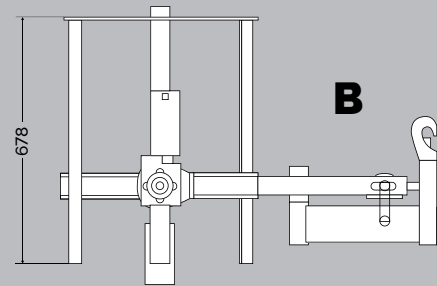
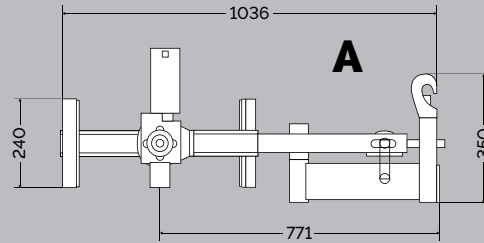
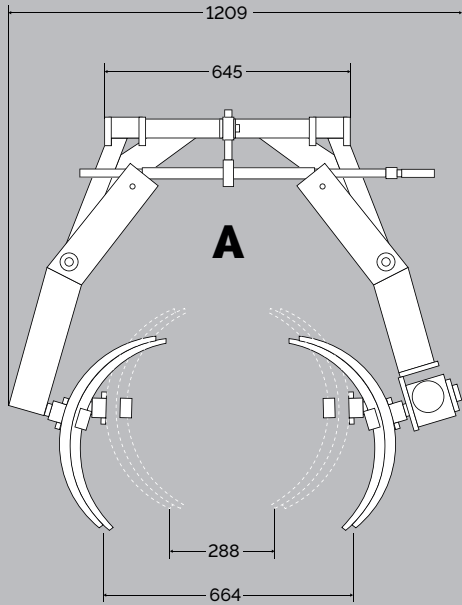
- Speed control
- Delicate operation
- Protected gearbox
- The semi electric drum turner is only available for semi electric and fully powered Logiflex models

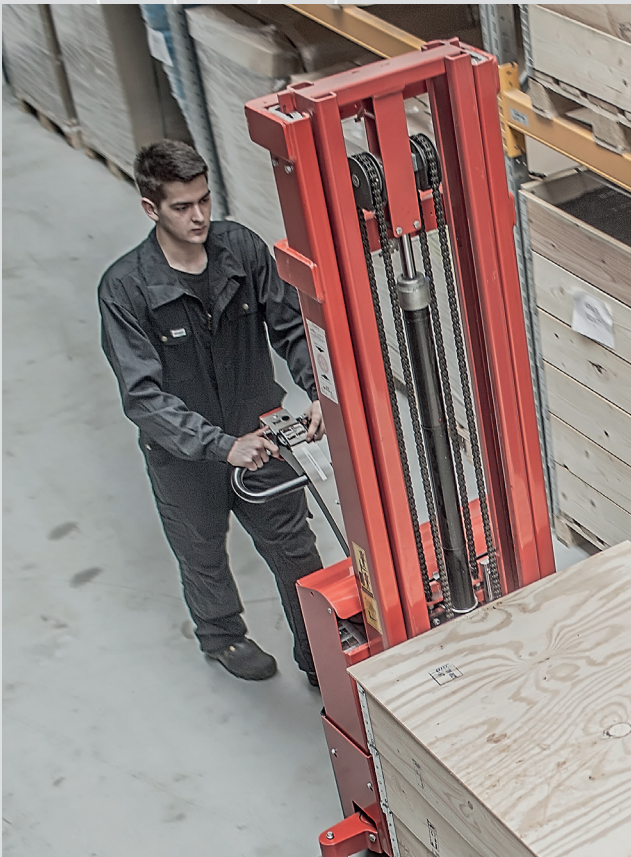
Manual drum turner

- Gearing is 1:80 - manually turn the handle 80 times to turn the clamps 360°.

FEATURES

- ✓ Quick shift system
(for the manual version)
- ✓ Manual
- ✓ Semi electric
- ✓ Fully powered
- ✓ Remote control
- ✓ Straddle legs
- ✓ Fork over





Quality **Ergonomic** Lifting Equipment

Logitrans US Inc

(888) 345-1270

sales@logitrans.com

www.logitrans.com

