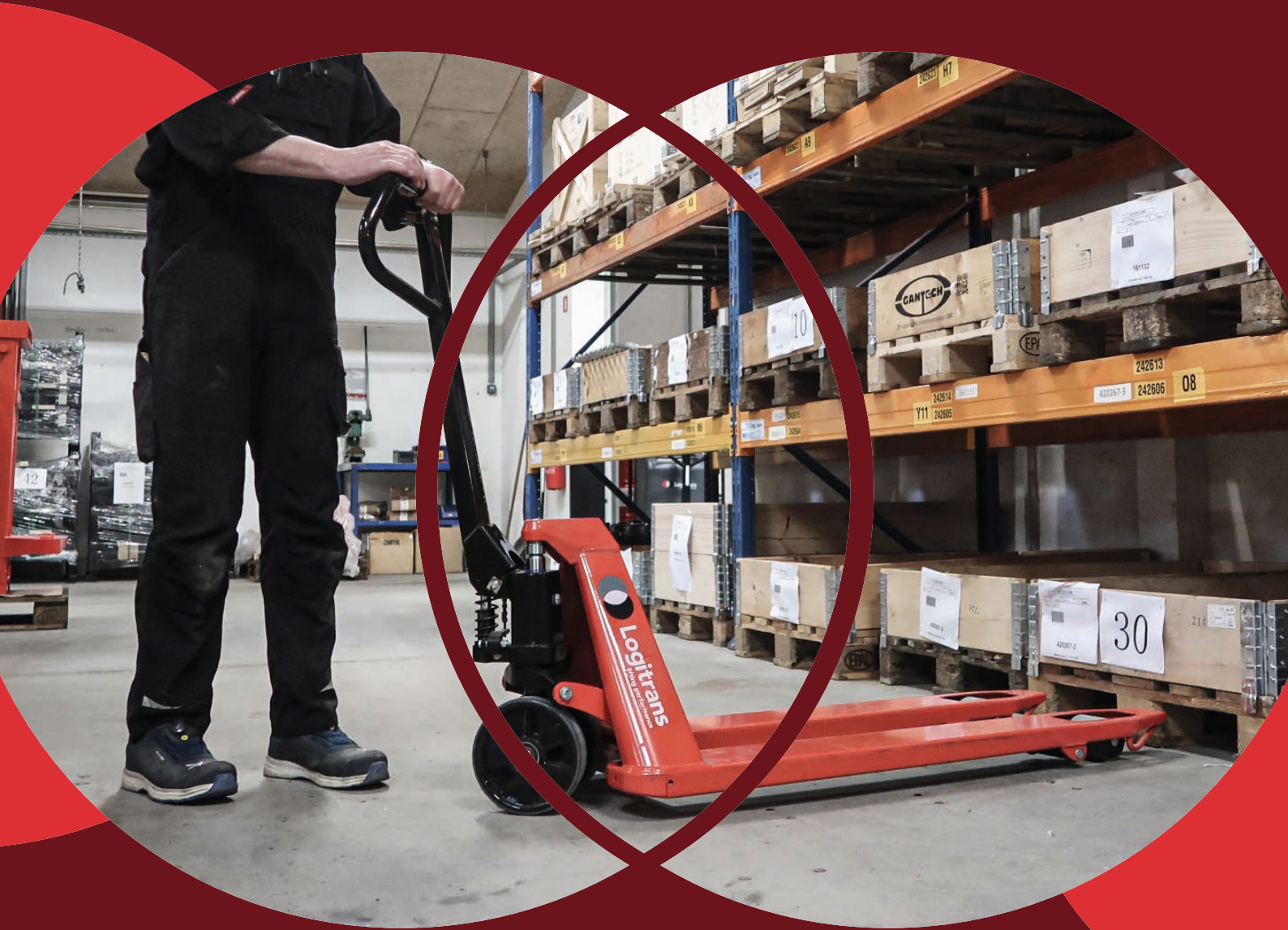




Logitrans
lifting performance



MANUAL PALLET TRUCKS



PANTHER

PANTHER INOX

SCALE PALLET TRUCK (WSP 2200)

CUSTOMIZED PALLET TRUCK

ETT



Manual pallet trucks

Our manual pallet trucks are constructed of high-quality steel and are designed to give the operator a safe, solid and efficient solution for pallet transportation.

The strong construction ensures a long operating life with very low maintenance costs.

The elegant design with rounded corners reduces risk of causing damages, while moving goods and pallets around - both to surrounding objects, the pallets and other valuable items. In addition, the ergonomically correct handle gives the operator a relaxed hold and proper working posture.

The special-designed wheels ensure minimum starting power and allow you to transport pallets

with heavy loads smoothly and with little physical efforts.

Our manual pallet truck is available with different fork lengths and spans, as well as it comes in stainless steel and as anti static.

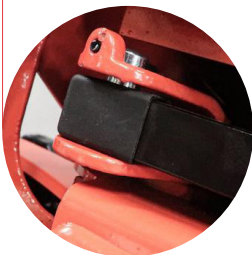
We also have our Panther Silent, which is a manual pallet truck with completely smooth and silent movement. And our manual pallet truck with weighing scale.

Less strokes to raise to full height
(permanent quick lift pump)

Custom fork length

Strong construction
(no through-going axle in the A-frame)

Ergonomically correct handle



Movable parts with
tight tolerances without
metallic contact



Fixed/movable (articulating)
steering wheel axle



The fork height is
adjustable to save pump
strokes.

The Panther - Danish quality since 1975

The Panther, launched in 1998, is an improved version of our original pallet truck, first introduced in 1975.

Quality has always been the ground pillar of our product assortment, and the strong constructions result in extremely long operating lives. The Panther is no exception to this. It is tested with up to 46,000 lifts and we have customers with Panthers from the 1980s still operating.



The Panther has smooth and silent movements due to the construction, with minimum friction of all movable parts (does not rattle) and tight tolerance. In addition, it has an ergonomic handle and rounded corners to protect both the operator and the surroundings.

It is very easy to maneuver due to the wheels and construction: Minimum starting power, short length behind the forks, low own weight and tight turning angle. In combination, this makes it possible to operate the Panther in confined areas.

The Panther is available with different fork lengths and widths, as well as with different wheels types. The capacity ranges from 3500 lbs up to 6600 lbs.

We use a special oil for all products, which is tested in cold atmospheres down to at least -10 degrees C.

Panther inox

We offer the highest quality stainless steel products on the market.

To give our customers the best experience, our stainless steel pallet trucks are designed from the bottom to minimize risks of rust and bacterial contamination.

This is evident in the closed forks, closed triangle and smooth surfaces. The Panther Inox and Inox Plus are developed for environments with high hygienic standards, or for wet and otherwise aggressive environments, which require high level of resistance and aggressive cleaning.

All surfaces are easy to clean and the chassis is constructed of AISI 316L acid-resistant steel to avoid rust.

Our stainless steel products are electropolished and very suitable for the food industry and pharmaceutical industry.

*Please refer to our Inox brochure for more information.

We use a special oil for all products, which is tested in cold atmospheres down to at least -10 degrees C.



Pallet truck with weighing scale

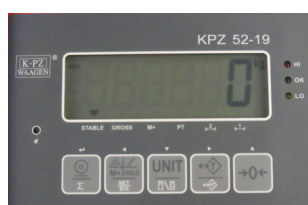
With the weighing scale pallet truck, WSP 2200, you can transport and weigh goods in the same working process.

It is a valuable and very time-efficient solution for customers in e.g. storage areas, who need to inspect incoming or off-shipping goods.

The weighing system has a high accuracy. It has four strong weighing cells, and a solid and very well protected display. The display is user-friendly and has logic and simple settings. It is centrally located, which gives the operator easy access to read the weight.

The construction of the pallet truck is strong and solid, and as with all of our pallet trucks, is very easy to operate and maintain.

We use a special oil for all products, which is tested in cold atmospheres down to at least -10 degrees C.



Can weigh up to 5000 lbs.

Panther customized

If you have special requests for fork lengths and/or fork span, we have our manual customized Panther.

Fork lengths from 24-94 inches

Fork span from 14-43 inches

In addition, it is available with different wheel types, with drum forks, as well as it has adjustable fork height.

We use a special oil for all products, which is tested in cold atmospheres down to at least -10 degrees C.



ETT - Economy manual pallet jack

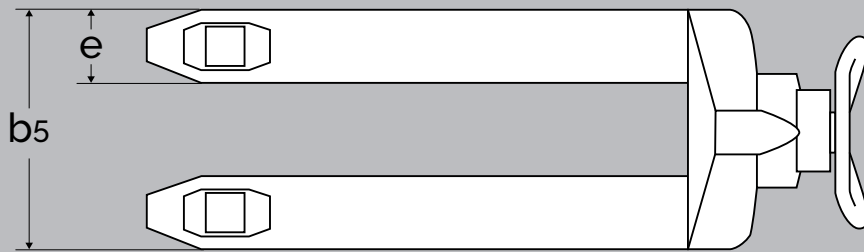
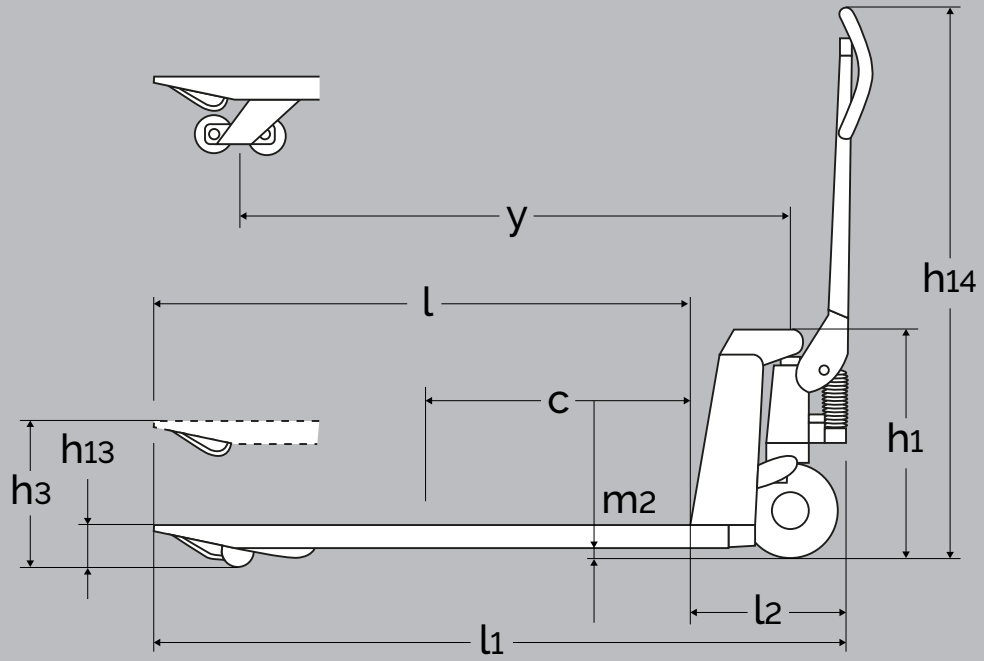
With an ETT pallet truck you get a pallet truck, for which the price is adjusted to the quality.

The ETT pallet truck is easy to pump and very easy to operate and maintain. The ETT pallet truck is very manoeuvrable and can contribute to a better utilisation of space in storage and production areas.

The ETT pallet truck is strong and very durable.

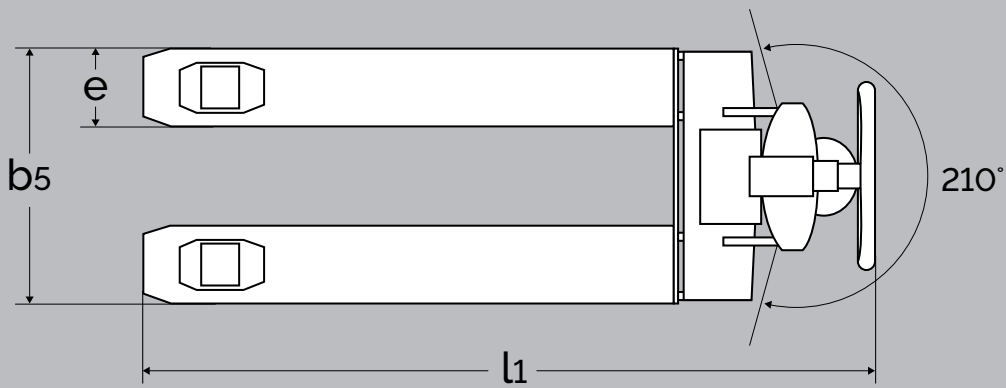
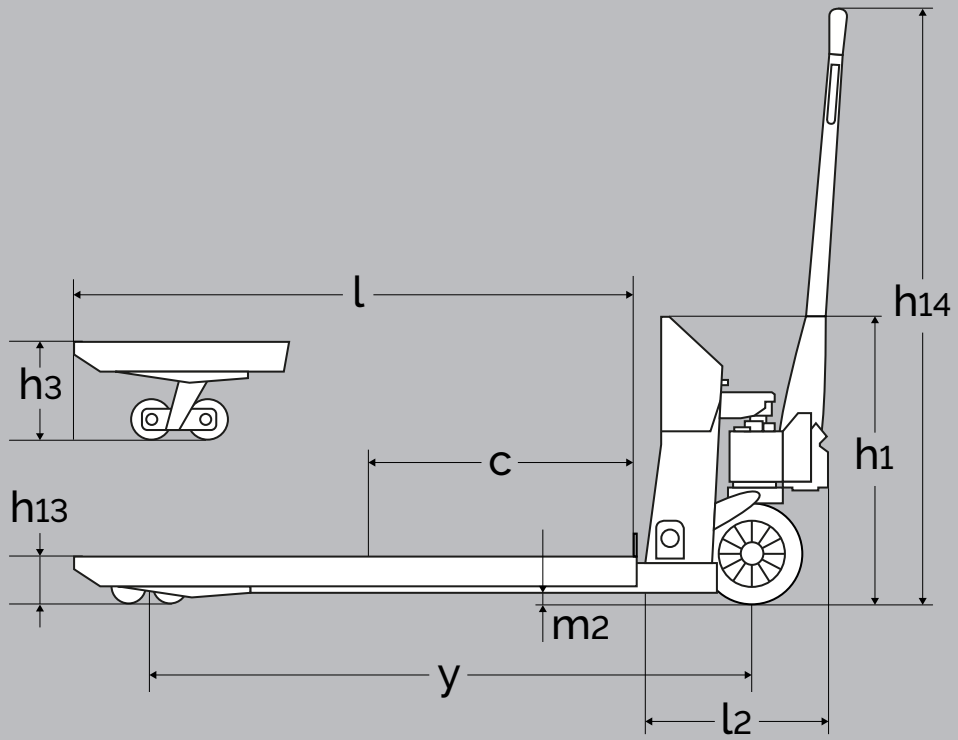
We use a special oil for all products, which is tested in cold atmospheres down to at least -10 degrees C.





PRODUCT (measured in inch)		Panther 1672	Panther 1682	Panther 2572	Panther 2582	Panther 3072	Panther 3082
Capacity i lbs		3500 lbs		5500 lbs		6600 lbs	
Lifting height	h_3	$h_{13} + 4.75$					
Fork length	l	23.5, 32, 38, 45		23.5, 32, 36, 38, 42, 45, 48, 60, 71, 79, 94.5*		23.5, 32, 36, 38, 45, 48, 60	
Overall height	h_1	$h_{13} + 16.25$					
Fork span	b_5	17.75		20.5, 27		20.5, 27	
Lenght without forks	l_2	13.25					
Overall length	l_1	$l + 13.25$					
Fork width	e	5		6.25			
Wheelbase	y	$l + 1$					
Overall height	h_{14}	46					
Lowered height - adjustable	h_{13}	3 to 3.25	3.25 to 3.5	3 to 3.25	3.25 to 3.5	3 to 3.25	3.25 to 3.5
Load centre	c	$l/2$					
Ground clearance	m_2	$h_{13} + 1.75$					
Turning angle of the wheels		220°					
Fork wheels - single		Ø3 x 2.75	Ø3.25 x 2.75	Ø3 x 3.5	Ø3.25 x 3.5		
Fork wheels - tandem				Ø3 x 2.75	Ø3.25 x 2.75	Ø3 x 2.75	Ø3.25 x 2.75
Steering wheel		Ø7.75 x 2					
Weight		130 lbs (17.75 x 45)		137 lbs (20.5 x 45)		150 lbs (20.5 x 45)	

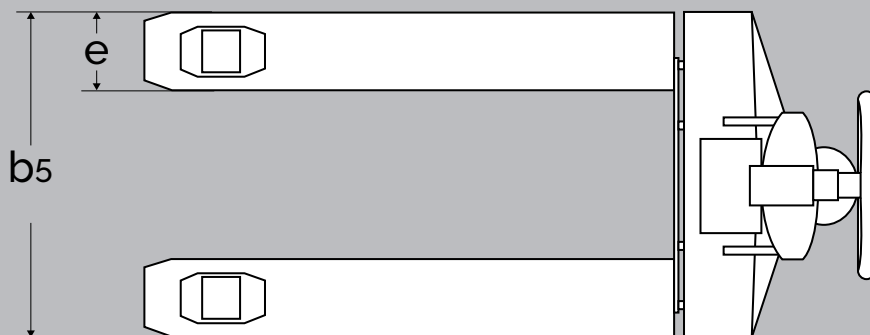
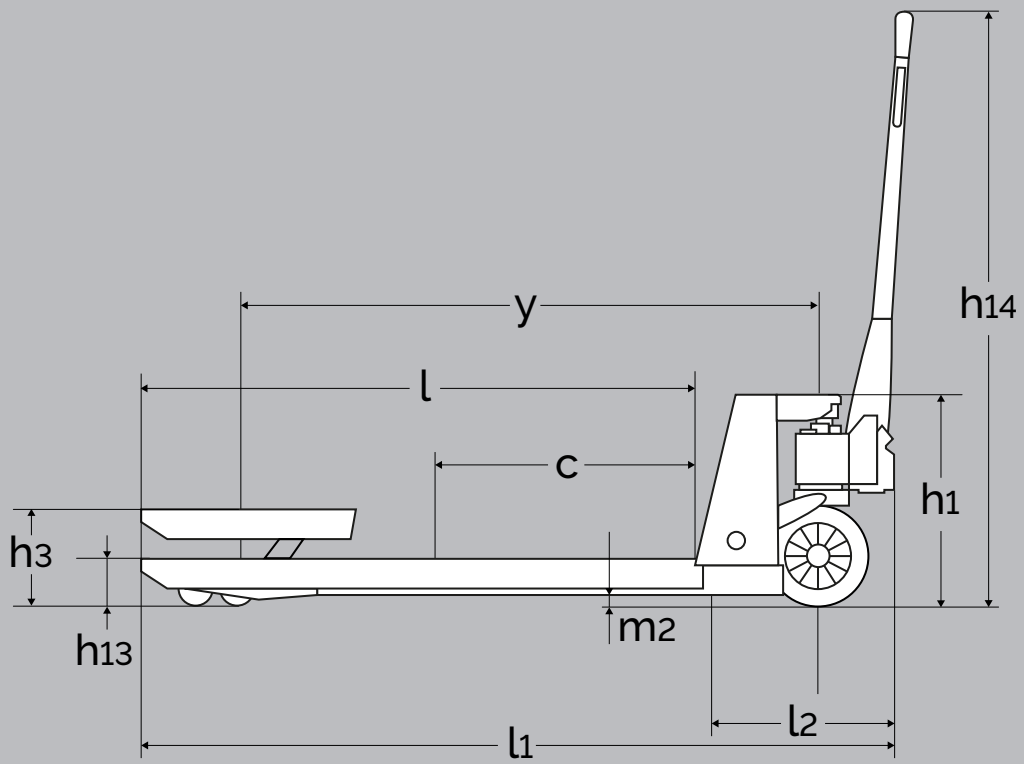
*Reduced capacity 3300 lbs.



Capacity i lbs		5000 lbs
Lifting height	h_3	8
Fork length	l	45
Overall height	h_1	23.25
Fork span	b_5	27
Lenght without forks	l_2	16.4
Overall length	l_1	62
Fork width	e	6.7
Wheelbase	y	47
Overall height	h_{14}	48
Lowered height	h_{13}	3
Load centre		$l/2$
Ground clearance	m_2	0.5
Turning angle of the wheels		210°
Fork wheels		Tandem polyurethane
Steering wheel		Ø7.75 rubber
Weight		219 lbs

Technical Specifications

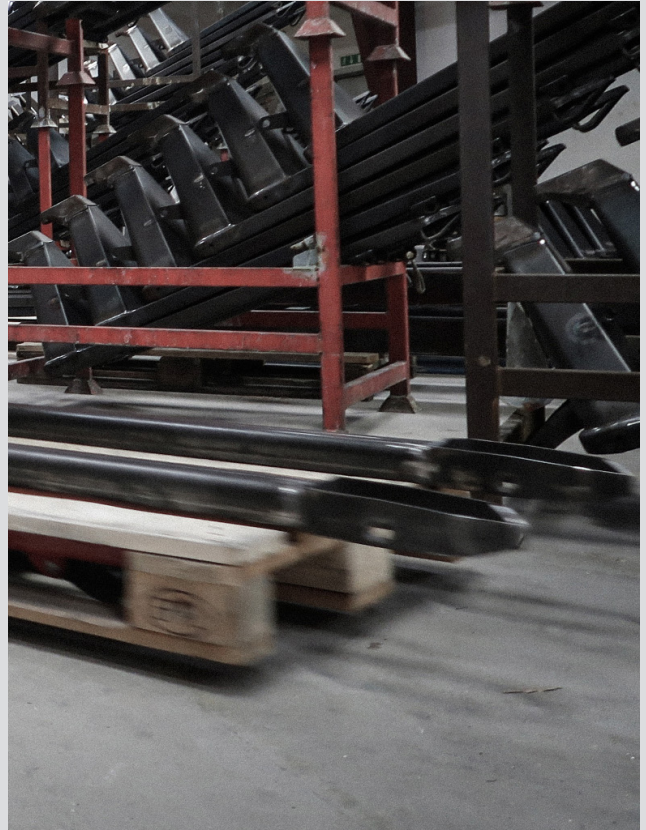
- Can transport/weigh up to 5000 lbs.
- Four strong weighing cells, IP68.
- Weighing cell accuracy 99,95%.
- Graduation: 2 lbs.
- Backlight display with clear figures (1.2 inch).
- Tare function (gross and net weight).
- Counting and zero setting.
- Summation of several weighings.
- Up to 250 operational hours per charge.
- Battery indicator.
- Lowering function controlled by lowering valve.
- High-pressure relief valve prevents overload.
- Lubricating nipples in the most important movable parts.



PRODUCT
 (measured in inch)

ETT

Capacity i lbs		5.500 lbs
Lifting height	h_3	8
Fork length	l	48
Overall height of chassis	h_1	17
Overall width	b_5	20.5 or 27
Lenght without forks	l_2	15.25
Overall length	l_1	$l + 15.25$
Fork width	e	6.25
Wheel distance	y	$l + 1$
Overall height	h_{14}	48.25
Lowered height	h_{13}	2.9
Load centre	c	$l/2$
Ground clearance	m_2	1.5
Turning angle of the wheels		210°
Fork wheels		Ø2.9
Fork wheels		Ø2.9
Steering wheel		Ø7.75
Weight		158 lbs



Quality **Ergonomic** Lifting Equipment

Logitrans US Inc

(888) 345-1270

sales@logitrans.com

www.logitrans.com

